

FIG. 1

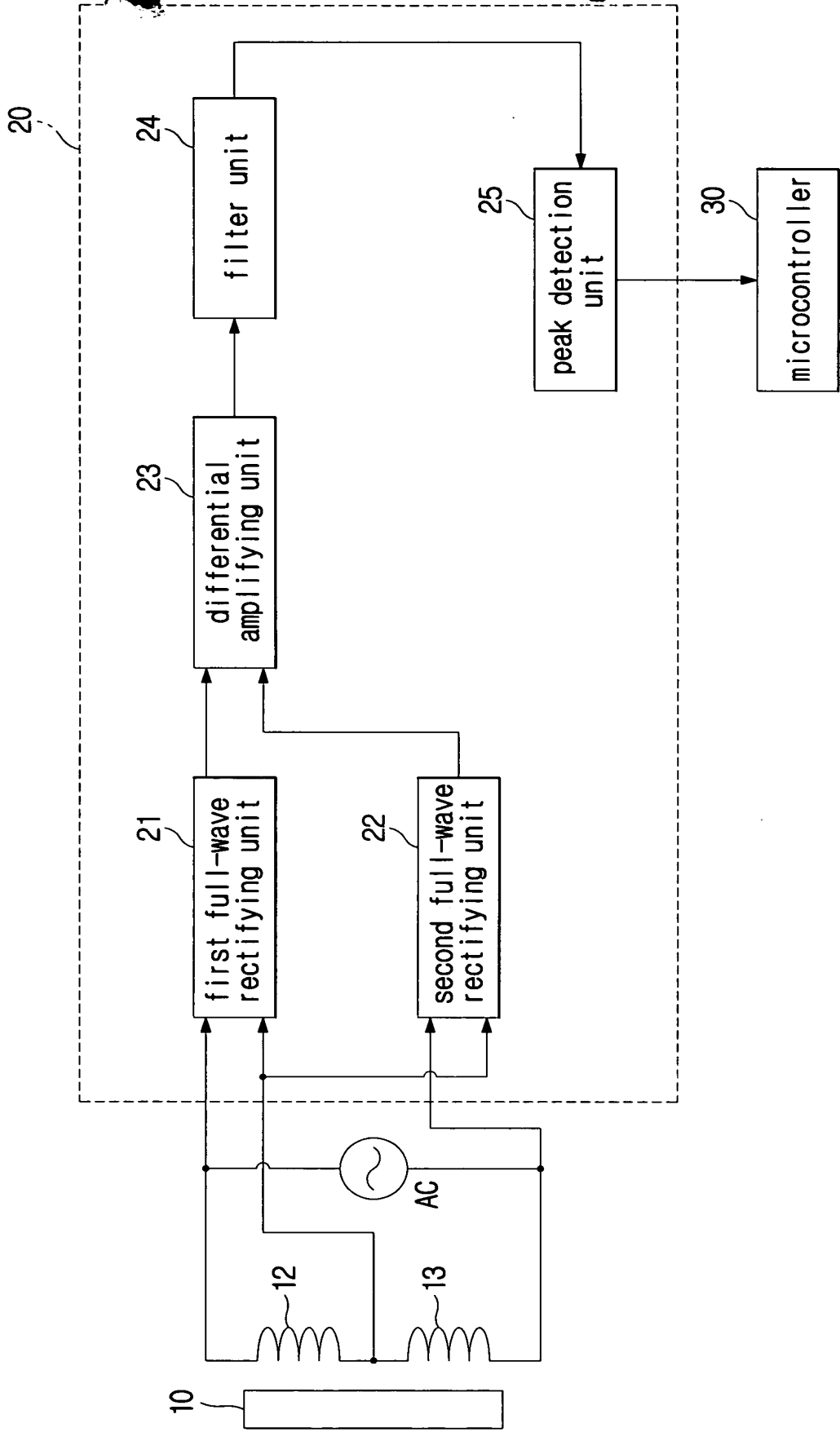


FIG. 2

FOR SHEET

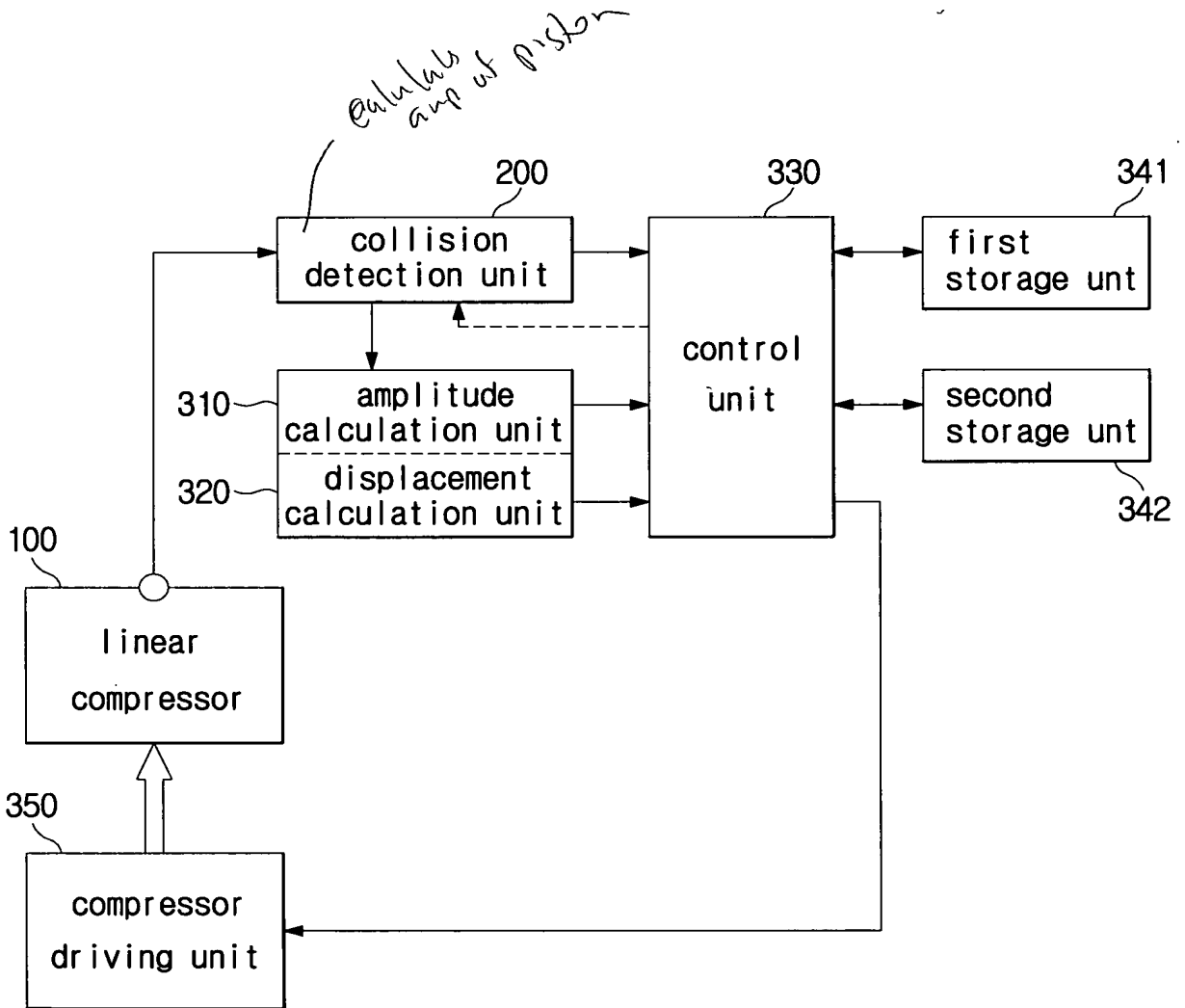


FIG. 3

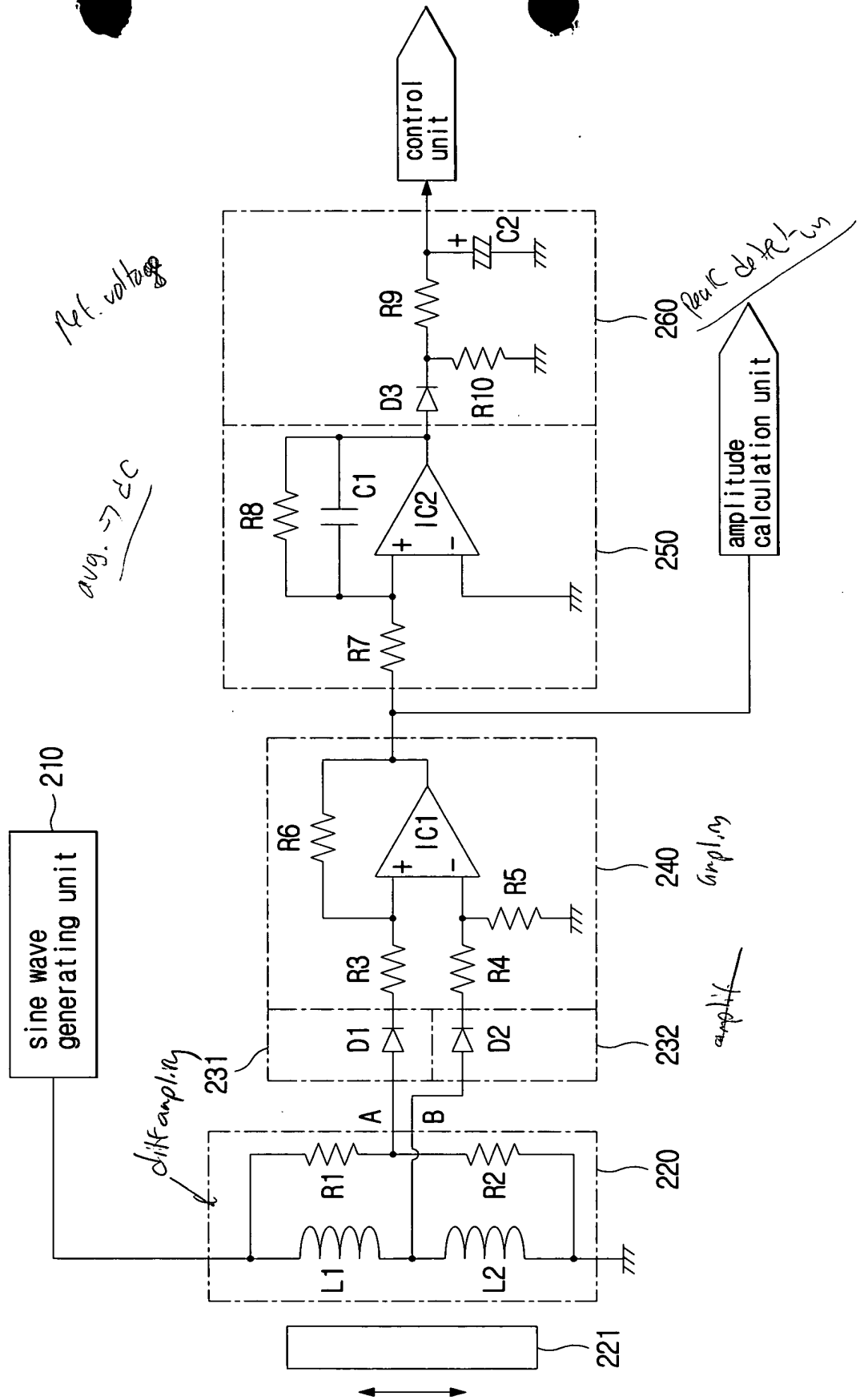
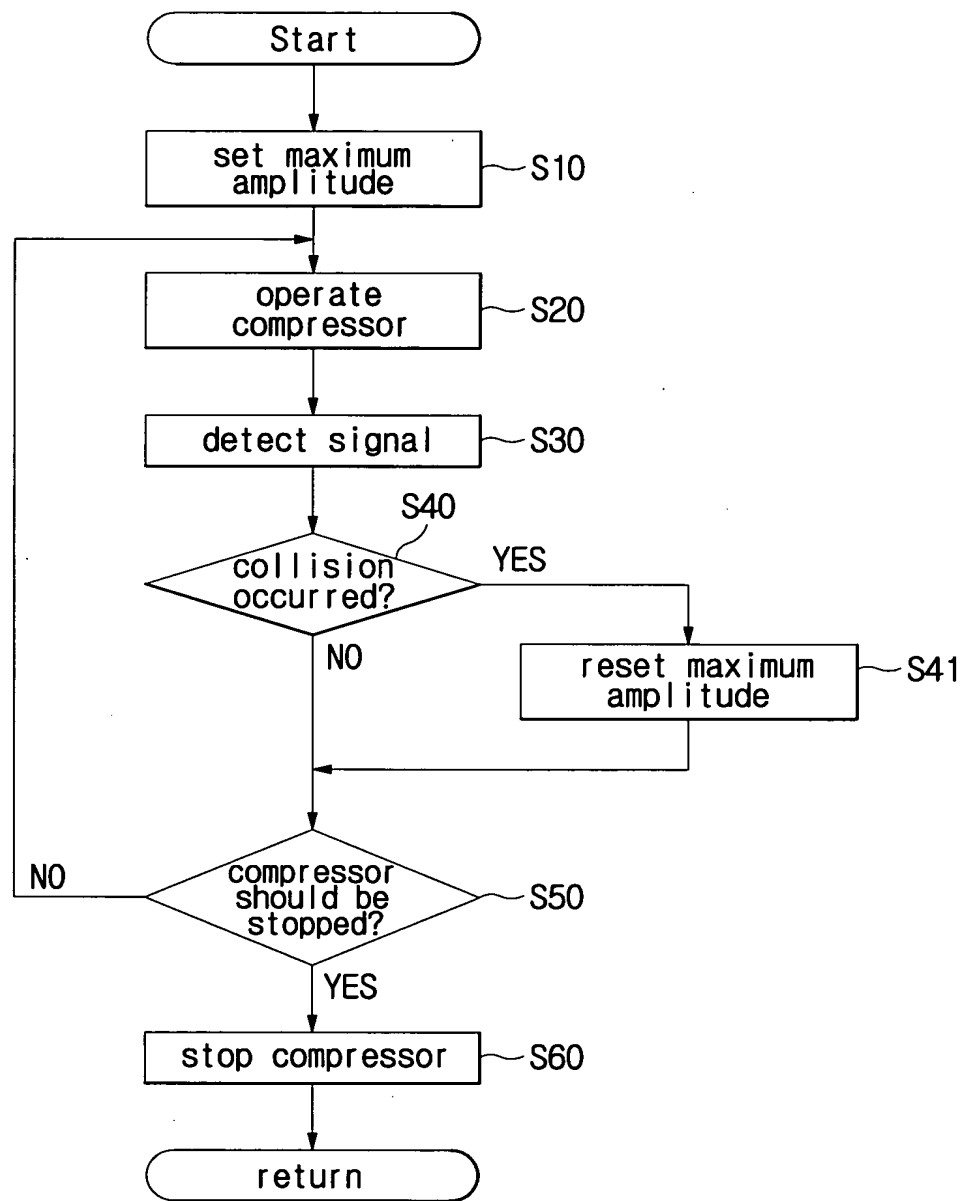
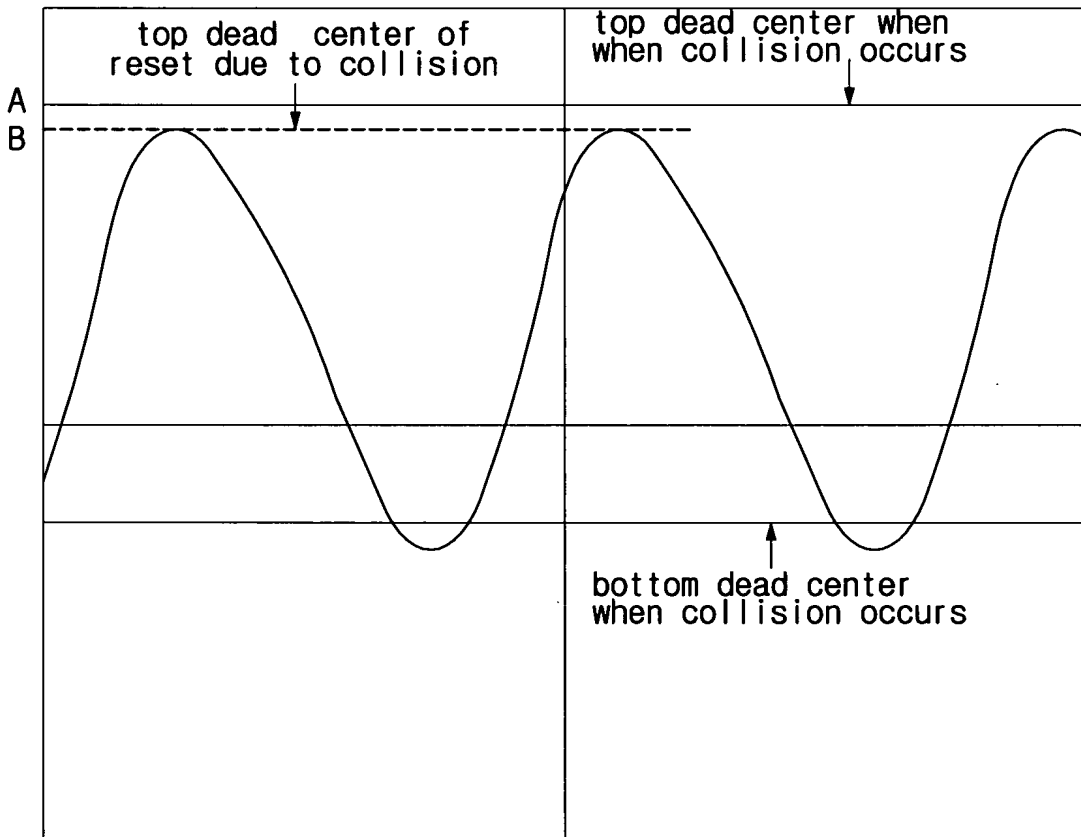


FIG. 4



Patent Application No. 2004/0100000

FIG. 5



SECRET